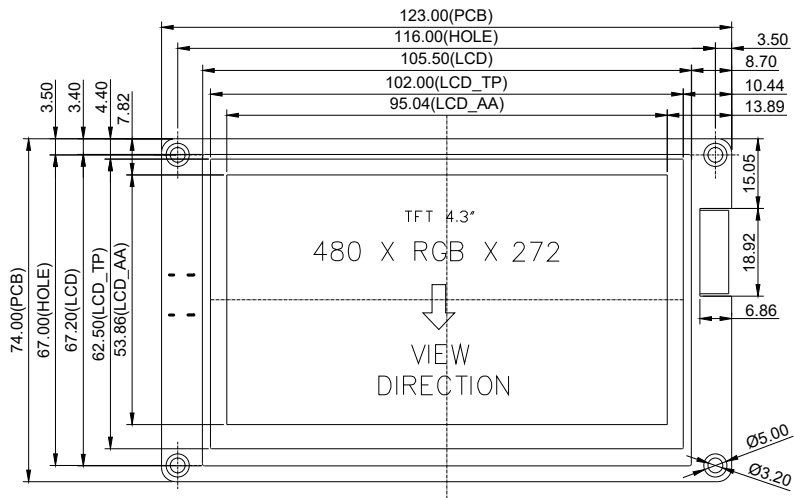
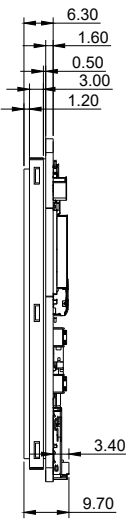


| | | |
|----------|---------------|------------|
| REVISION | RECORD | Date |
| V1.0 | First release | 2026-01-24 |

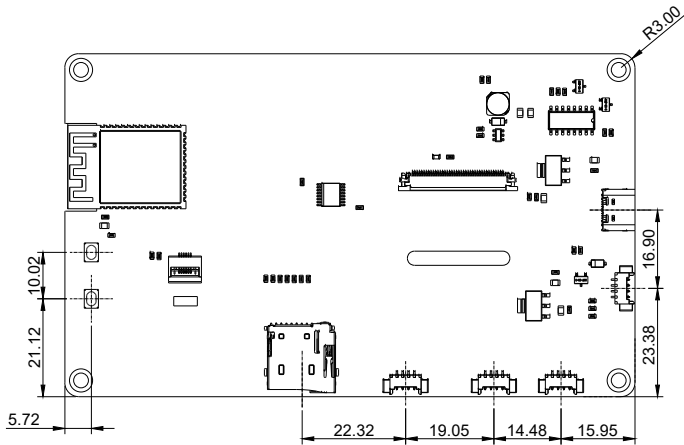
Front



Side

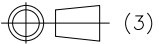


Back



NOTES:

1. DISPLAY TYPE: 4.3" TN TFT
2. VIEWING DIRECTION: 6 O'CLOCK
3. DRIVE IC: ST7282E
4. POLARIZER MODE: TRANSMISSIVE/POSITIVE
5. RESOLUTION: 480*RGB*272
6. UNMARKER TOLERANCE: ± 0.2
7. OPERATING TEMP: $-20^{\circ}\text{C} \sim +60^{\circ}\text{C}$

| | | | | | | | |
|--|-------------|------|------|------|---|------------|-------|
| 深圳市全动电子技术有限公司 ShenZhen QDtech electronic technology Co.,LTD. | | | | | DRG DATE | 2026-01-24 | |
| | | | | | DRAWING | Fang | |
| TITLE. | LCM OUTLINE | REV. | UNIT | SIZE |  (3) | CHECK | Green |
| SKU. | | V1.0 | mm | A4 | | APPROVE | Rose |