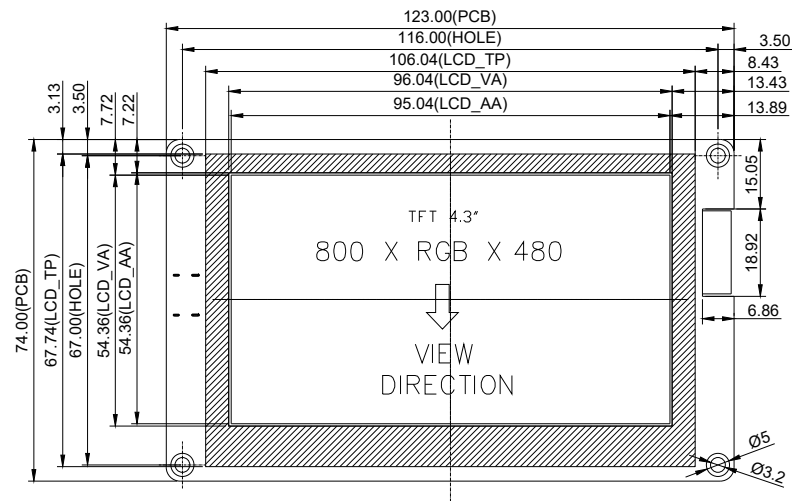


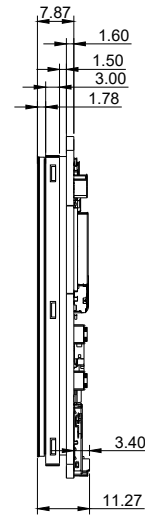
6	7	8
REVISION	RECORD	Date
V1.0	First release	2026-01-24

A
B
C
D
E

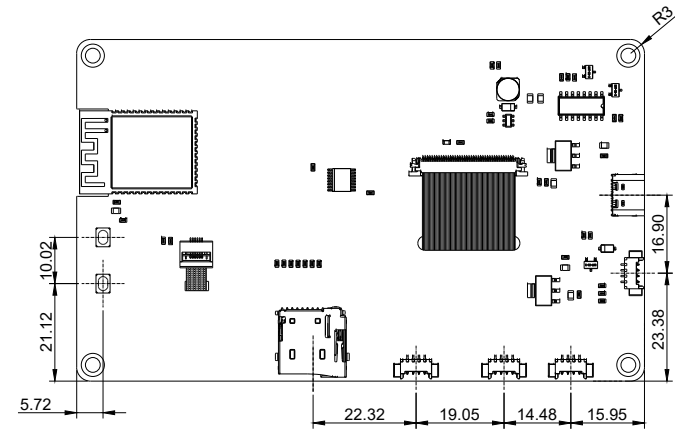
Front



Side



Back



NOTES:

1. DISPLAY TYPE: 4.3" IPS TFT
2. VIEWING DIRECTION: ALL O' CLOCK
3. DRIVE IC: ST7265
4. POLARIZER MODE: TRANSMISSIVE/POSITIVE
5. RESOLUTION: 800*RGB*480
6. UNMARKER TOLERANCE: ± 0.2
7. OPERATING TEMP: $-30^{\circ}\text{C} \sim +80^{\circ}\text{C}$

深圳市全动电子技术有限公司 ShenZhen QDtech electronic technology Co.,LTD.						DRG DATE	2026-01-24
						DRAWING	Fang
TITLE.	LCM OUTLINE	REV.	UNIT	SIZE	(3)	CHECK	Green
SKU.		V1.0	mm	A4		APPROVE	Rose