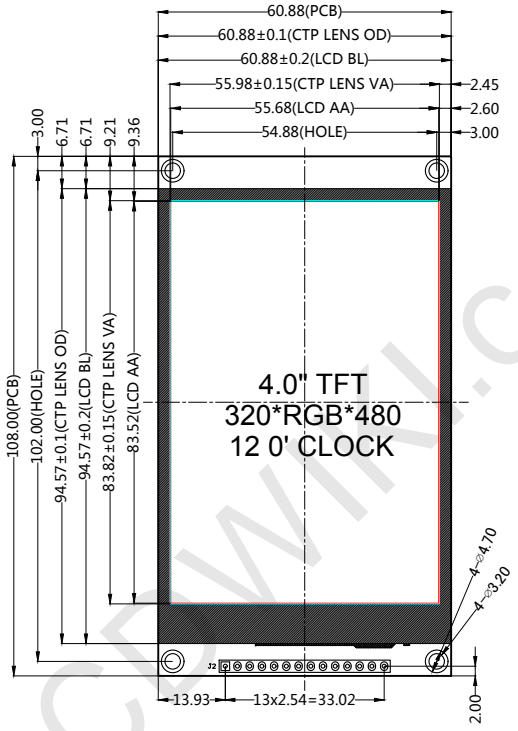
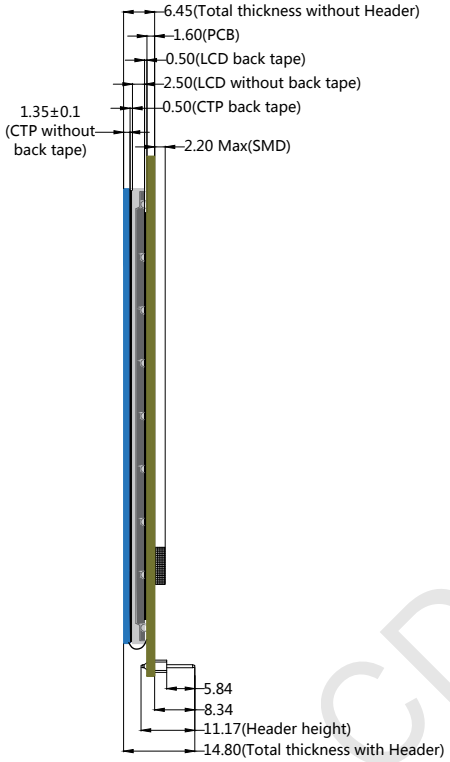


REVISION	RECORD	Date
V1.0	First release	2023-11-16

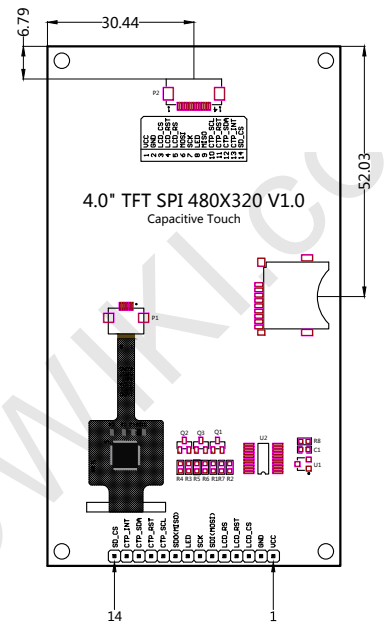
### Front



### Side



### Back



No	PIN NAME
1	UCC
2	GND
3	LCD_CS
4	LCD_RST
5	LCD_RS
6	SDI(MOSI)
7	SCK
8	LED
9	SDO(MISO)
10	CTP_SCL
11	CTP_RST
12	CTP_SDA
13	CTP_INT
14	SD_CS

- NOTES:
1. DISPLAY TYPE: 4.0" TFT
  2. VIEWING DIRECTION: 12 O' CLOCK
  3. DRIVE IC: ST7796S
  4. POLARIZER MODE: TRANSMISSIVE/POSITIVE
  5. RESOLUTION: 320\*RGB\*480
  6. INTERFACE: SPI\_4-Line
  7. UNMARKER TOLERANCE:  $\pm 0.2$
  8. OPERATING TEMP:  $-10^{\circ}\text{C} \sim +60^{\circ}\text{C}$

深圳市全动电子技术有限公司 ShenZhen QDtech electronic technology Co.,LTD.					DRG DATE	2023-11-16	
					DRAWING	Joan	
TITLE.	LCM OUTLINE	REV.	UNIT	SIZE	(3)	CHECK	Green
SKU.	MSP4031	V1.0	mm	A4		APPROVE	Rose