

深圳市全动电子技术有限公司	Doc.No.:	
	REV : A	PAGE : 1/20
SPEC TITLE DOCUMENT CONTROL SPECIFICATION	EFFECTIVE DATE : 2023.06.03	

Specifications

TFT-LCDmodule

Model No: QD2833

Customer name:

The project name:

For Customer's Acceptance	
Approved by	Comment

	Signature	Date
Prepared by		
Checked by		
Approved by		

深圳市全动电子技术有限公司	Doc.No.:	
	REV : A	PAGE : 2/20
SPEC TITLE DOCUMENT CONTROL SPECIFICATION	EFFECTIVE DATE : 2023.06.03	

Contents

1	General Description	3
1.1	Features	3
1.2	Application	3
2	Outline Dimension	3
3	Electrical Characteristics	5
3.1	TFT-LCD Module	5
3.2	Back-Light Unit.....	5
4	Block Diagram	6
5	TFT-LCM Interface Specification	7
6	Description of Interface' Signal.....	8
6.1	DC Characteristics	8
6.2	AC Characteristics.....	9
6.3	Reset Characteristics	10
7	Optical Specification.....	11
8	Environment Absolute Maximum Ratings	14
9	Inspection Standard.....	15
10	Package	16
11	Precautions	17
11.1	Handling	17
11.2	Storage	17
11.3	Operation	18
11.4	Touch Panel Mounting Notes	18
11.5	Others	19
12	Records of Version	20

深圳市全动电子技术有限公司	Doc.No.:	
	REV : A	PAGE : 3/20
SPEC TITLE DOCUMENT CONTROL SPECIFICATION	EFFECTIVE DATE : 2023.06.03	

1 General Description

QD2833 is a transmissive type a-Si TFT-LCD (amorphous silicon thin film transistor liquid crystal display) module, which is composed of a TFT-LCD panel, a driver circuit a backlight unit, The panel size is 2.8inch and thresolution is 240x320. High image quality a-Si TFT LCD module. Partial-screen display function is available. Sleep and Stand-by modes are available for power saving.

1.1 Features

No	Item	Specification	Remark
1	Display Mode	Normally Black	
2	Screen Size	2.8inch (diagonal)	
3	Resolution	240XRGBX320	
4	Color Number	262K	
5	Color Arrangement	RGB-stripe	
6	Driver IC	ILI9341V	
7	Back Light	White LED*4	
8	Viewing Direction	ALL O'CLOCK	
9	Interface	SPI 4W 8BIT	
10	Surface Treatment	UV Cut	

1.2 Application

- ◆ Mobile phone.
- ◆ Portable multimedia device.

2 Outline Dimension

The mechanical detail is shown in Fig. 1 and summarized in Table 1 below.

Parameter	Specifications	Unit
Outline dimensions	50 (W) x69.2(H) x2.3±0.1(D) (LCM,no include FPC)	mm
Active area	43.2(W) x57.6(H)	mm
Resolution	240(H)RGBx 320(V) dots	-
Dot size	0.153(H) ×0.153	mm
Module brightness	280	cd/m ²

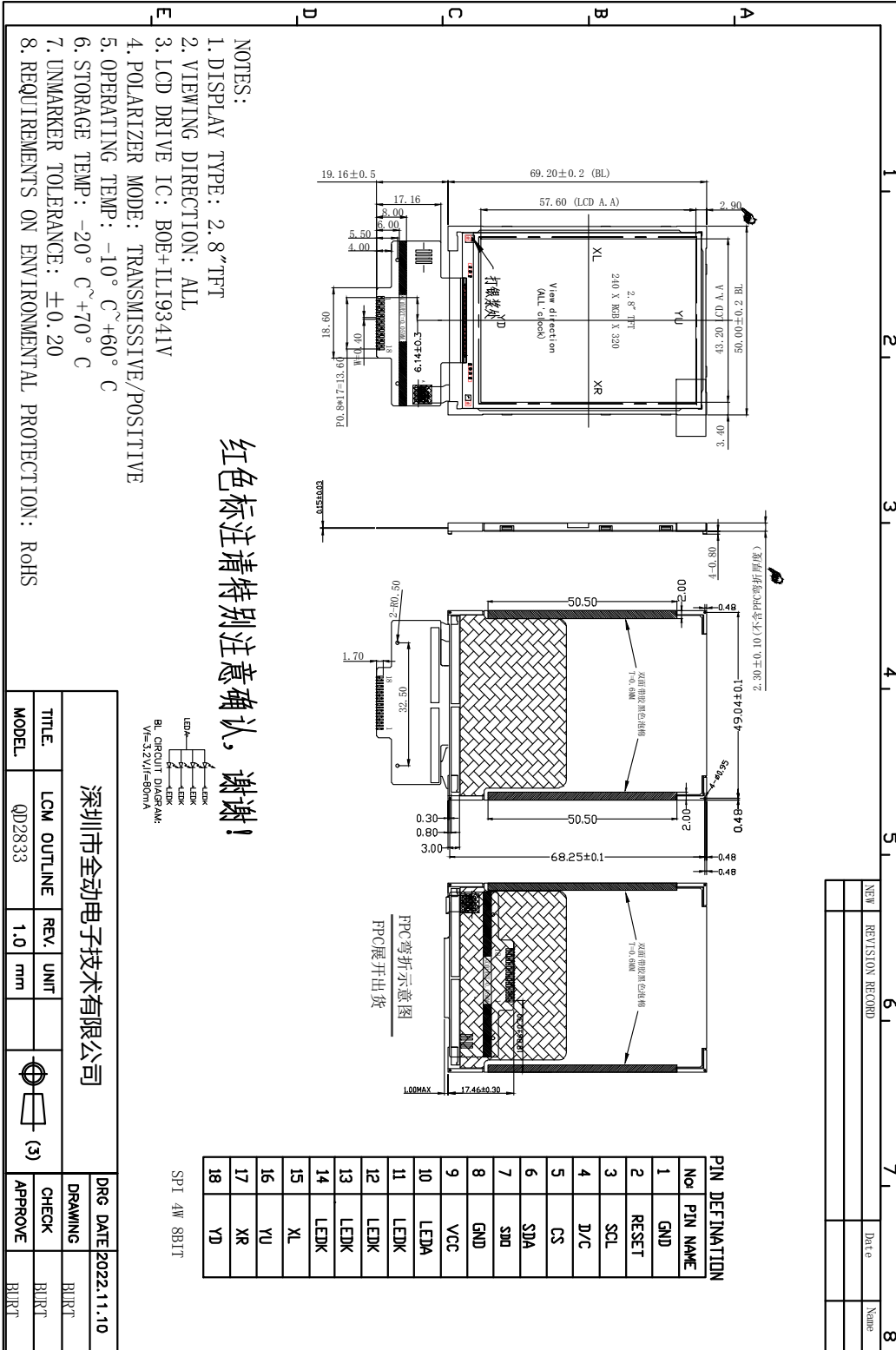


Figure 1: Module specification of the module

深圳市全动电子技术有限公司	Doc.No.:	
	REV : A	PAGE : 5/20
SPEC TITLE DOCUMENT CONTROL SPECIFICATION	EFFECTIVE DATE : 2023.06.03	

3 Electrical Characteristics

3.1 TFT-LCD Module

Ta=25°C

Item	Symbo	Value			Unit	Notes
		Min	Typ	Max		
Supply Voltage for logic	Vcc	2.5	2.8	3.3	V	
	Vci	2.5	2.8	3.3		
TFT Gate ON Voltage	VGH *	11.5		19	V	
TFT Gate OFF Voltage	VGL	-15.5		-7	V	
Operating temperature	Top	-20		+70	°C	
Storage temperature	Tst	-30		+80	°C	

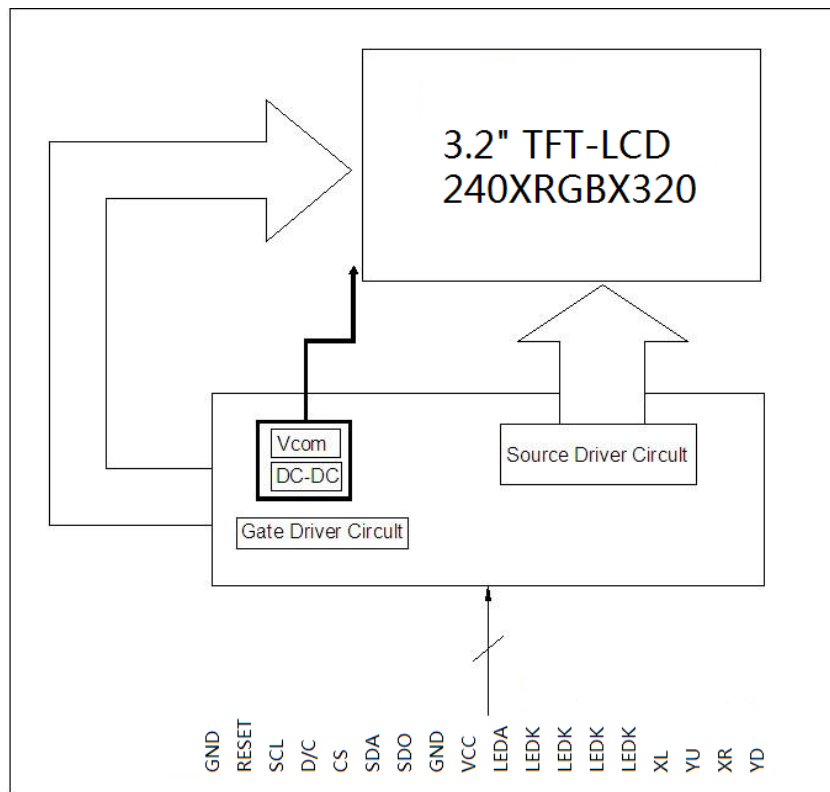
3.2 Back-Light Unit

Item	Symbol	Min.	Typ.	Max.	Unit	Remark
Current	IF	--	80	80	mA	IF=80mA VF=3.2V
Forward voltage	VF	3.0	3.1	3.2	V	
Chroma	X	0.240		0.28		
	Y	0.250		0.29		
Brightness	L	4500			Cd/m2	
Uniformity	UBL	80			%	

- 4 LED
- The luminous intensity of LED is strongly dependent on the driving current.
- It is recommended the input of backlight to be constant current rather than constant voltage.

深圳市全动电子技术有限公司	Doc.No.:	
	REV : A	PAGE : 6/20
SPEC TITLE DOCUMENT CONTROL SPECIFICATION	EFFECTIVE DATE : 2023.06.03	

4 Block Diagram



深圳市全动电子技术有限公司	Doc.No.:	
	REV : A	PAGE : 7/20
SPEC TITLE DOCUMENT CONTROL SPECIFICATION	EFFECTIVE DATE : 2023.06.03	

5 TFT-LCM Interface Specification

Pin No.	Symbol	Functional	I/O
1	GND	Ground	Power Supply
2	RESET	Reset signal input Pin	I
3	SCL	Second Data lane in 2 data lane serial interface.	I
4	D/C	This pin is used to be serial interface clock.	I
5	CS	Chip select input pin.	I
6	SDA	The data is latched on the rising edge of the SCL signal.	I/O
7	SDO	The data is outputted on the falling edge of the SCL signal	O
8	GND	Ground	Power Supply
9	VCC	Power supply input for LCM:2.8V	Power Supply
10	LED-A	Anode pin of backlight	BL Power
11~14	LED-K	Cathode pin OF backlight	BL Power
15	XL	X-	I
16	YU	Y+	I
17	XR	X+	I
18	YD	Y-	I

深圳市全动电子技术有限公司	Doc.No.:	
	REV : A	PAGE : 8/20
SPEC TITLE DOCUMENT CONTROL SPECIFICATION	EFFECTIVE DATE : 2023.06.03	

6 Description of Interface'Signal

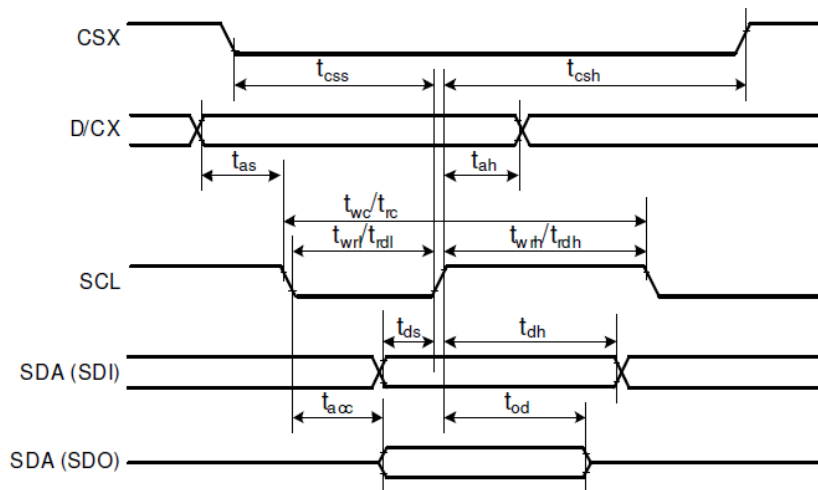
6.1 DC Characteristics

7.2 DC Characteristics

Parameter	Symbol	Condition	Specification			Unit	Related Pins
			MIN.	TYP.	MAX.		
Power & Operation Voltage							
System Voltage	VDD	Operating voltage	2.5	2.8	4.8	V	
Interface Operation Voltage	VDDI	I/O Supply Voltage	1.65	1.8	3.3	V	
Gate Driver High Voltage	VGH		11.5		18	V	Note 4
Gate Driver Low Voltage	VGL		-7.6		-12	V	
Gate Driver Supply Voltage		VGH-VGL	-		30	V	Note 5
Input / Output							
Logic-High Input Voltage	VIH		0.7VDDI		VDDI	V	Note 1
Logic-Low Input Voltage	VIL		VSS		0.3VDDI	V	Note 1
Logic-High Output Voltage	VOH	IOH = -1.0mA	0.8VDDI		VDDI	V	Note 1
Differential Input High Threshold Voltage	VIT+			0	50	mV	MIPI_CLK MIPI_Data
Differential Input Low Threshold Voltage	VIT-		-50	0		mV	
Single-ended Receiver Input Operation Voltage Range	VIR		0.5		1.2	V	
Logic-Low Output Voltage	VOL	IOL = +1.0mA	VSS		0.2VDDI	V	Note 1
Logic-High Input Current	IIH	VIN = VDDI			1	uA	Note 1
Logic-Low Input Current	IIL	VIN = VSS	-1			uA	Note 1
Input Leakage Current	IIL	IOH = -1.0mA	-0.1		0.1	uA	Note 1
VCOM Voltage							
VCOM amplitude	VCOM			VSS		V	
Source Driver							
Gamma Reference Voltage(Positive)	VAP		4.4		6.4	V	
Gamma Reference Voltage(Negative)	VAN		-2.6		-4.6	V	
Source Output Settling Time	Tr	Below with 99% precision			10	us	Note 2

Table 2 Basic DC Characteristics

6.2 AC Characteristics



Signal	Symbol	Parameter	min	max	Unit	Description
CSX	tcss	Chip select time (Write)	40	-	ns	
	tcsh	Chip select hold time (Read)	40	-	ns	
SCL	twc	Serial clock cycle (Write)	100	-	ns	
	twrh	SCL "H" pulse width (Write)	40	-	ns	
	twrl	SCL "L" pulse width (Write)	40	-	ns	
	trc	Serial clock cycle (Read)	150	-	ns	
	trdh	SCL "H" pulse width (Read)	60	-	ns	
	trdl	SCL "L" pulse width (Read)	60	-	ns	
D/CX	tas	D/CX setup time	10	-		
	tah	D/CX hold time (Write / Read)	10	-		
SDA / SDI (Input)	tds	Data setup time (Write)	30	-	ns	
	tdh	Data hold time (Write)	30	-	ns	
SDA / SDO (Output)	tacc	Access time (Read)	10	-	ns	For maximum CL=30pF
	tod	Output disable time (Read)	10	50	ns	For minimum CL=8pF

6.3 Reset Timing

7.5.6 Reset Timing:

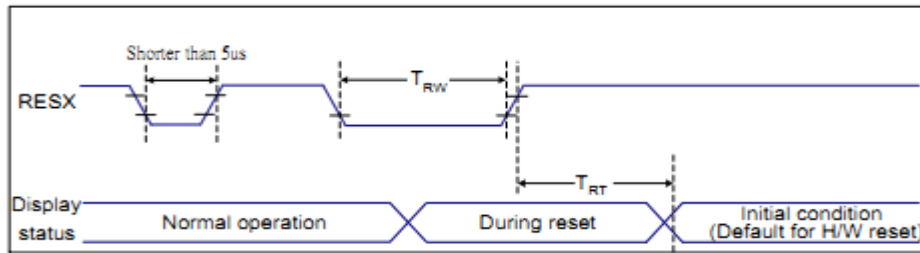


Figure 10 Reset Timing

VDDI=1.8, VDD=2.8, AGND=DGND=0V, T_a=25 °C

Related Pins	Symbol	Parameter	MIN	MAX	Unit
RESX	TRW	Reset pulse duration	10	-	us
	TRT	Reset cancel	-	5 (Note 1, 5) 120 (Note 1, 6, 7)	ms

Table 10 Reset Timing

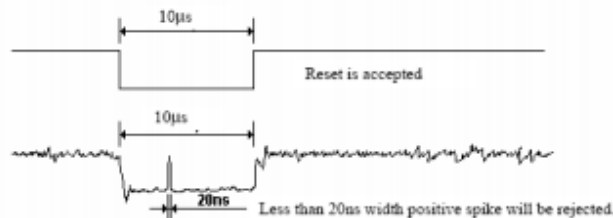
Notes:

- The reset cancel includes also required time for loading ID bytes, VCOM setting and other settings from NVM (or similar device) to registers. This loading is done every time when there is HW reset cancel time (TRT) within 5 ms after a rising edge of RESX.
- Spike due to an electrostatic discharge on RESX line does not cause irregular system reset according to the table below:

RESX Pulse	Action
Shorter than 5us	Reset Rejected
Longer than 9us	Reset
Between 5us and 9us	Reset starts

- During the Resetting period, the display will be blanked (The display is entering blanking sequence, which maximum time is 120 ms, when Reset Starts in Sleep Out =mode. The display remains the blank state in Sleep In =mode.) and then return to Default condition for Hardware Reset.

- Spike Rejection also applies during a valid reset pulse as shown below:



- When Reset applied during Sleep In Mode.
- When Reset applied during Sleep Out Mode.
- It is necessary to wait 5msec after releasing RESX before sending commands. Also Sleep Out command cannot be sent for 120msec.

深圳市全动电子技术有限公司	Doc.No.:	
	REV : A	PAGE : 11/20
SPEC TITLE DOCUMENT CONTROL SPECIFICATION	EFFECTIVE DATE : 2023.06.03	

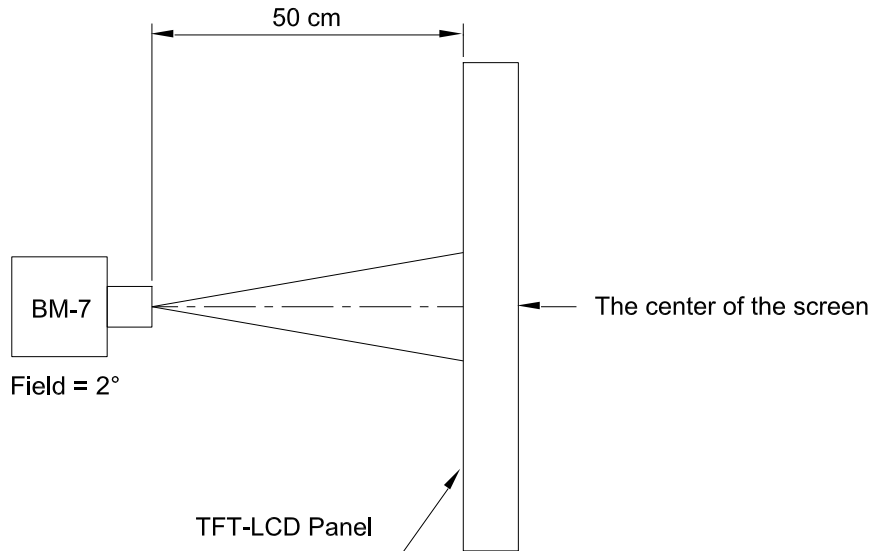
7. Optical Specification

Parameter	Symbol	Condition	Min.	Typ.	Max.	Unit	Remark	
Viewing Angle Range	Horizontal	CR > 10	Θ_3	75	80	-	Deg.	Note 4.1
			Θ_9	75	80	-	Deg.	
	Vertical		Θ_{12}	75	80	-	Deg.	
			Θ_6	75	80	-	Deg.	
Contrast Ratio	CR	$\Theta = 0^\circ$	1000	1200	-		APF Note 4.2/4.3	
Cell Transmittance	Tr		4.5	4.8	-	%		
Reproduction of color	Rx	$\Theta = 0^\circ$	0.655	0.658	0.661		With BLU @C Light Note 4.4	
	Ry		0.335	0.338	0.341			
	Gx		0.259	0.262	0.265			
	Gy		0.597	0.6	0.603			
	Bx		0.131	0.134	0.137			
	By		0.134	0.137	0.14			
	Wx		0.305	0.308	0.311			
	Wy		0.336	0.339	0.342			
Color Gamut		$\Theta = 0^\circ$	65	70	-	%		
Response Time	Ton + Toff	Ta= 25°C $\Theta = 0^\circ$	-	30	35	ms	Note 4.5	

深圳市全动电子技术有限公司	Doc.No.:	
	REV : A	PAGE : 12/20
SPEC TITLE DOCUMENT CONTROL SPECIFICATION	EFFECTIVE DATE : 2023.06.03	

Note 1: The brightness test equipment setup

$I_B=60mA$, Field= 2° (As measuring “black” image, field= 2° is the best testing condition.)

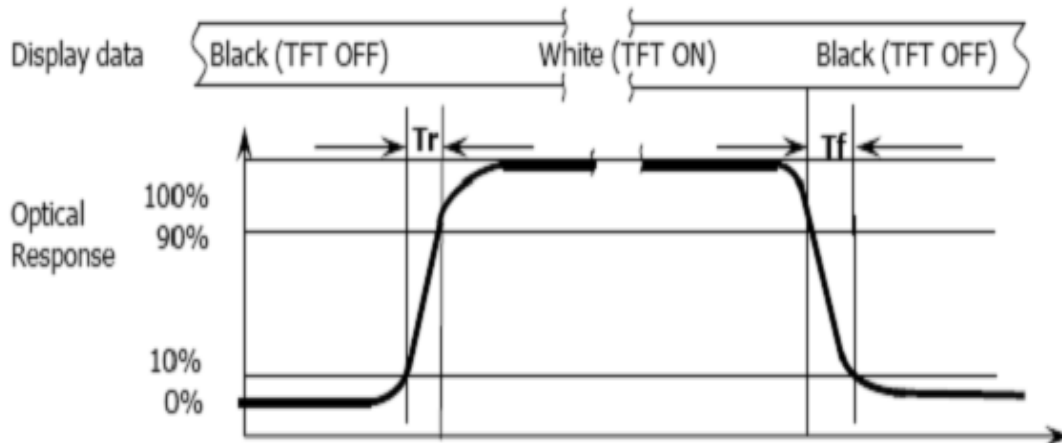


Note 2: Definition of contrast ratio (C.R)

$$C.R = \frac{\text{Brightness When LCD is at "White" State}}{\text{Brightness When LCD is at "Black" State}}$$

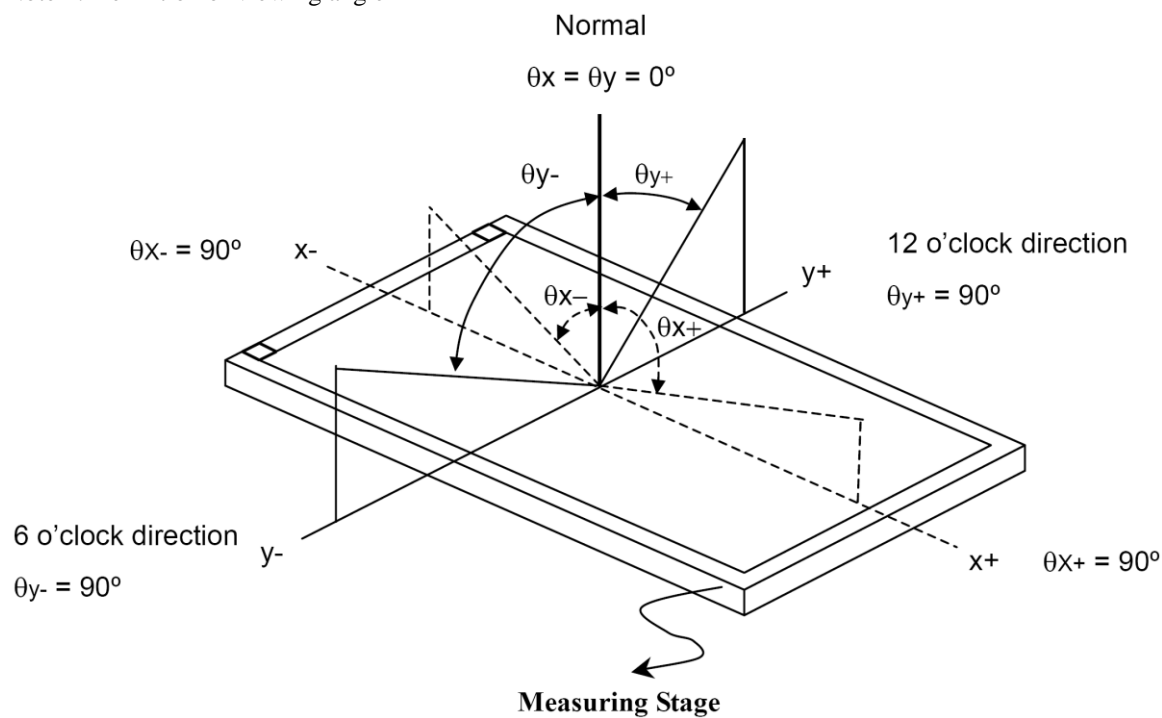
Note 3: Definition of response

time

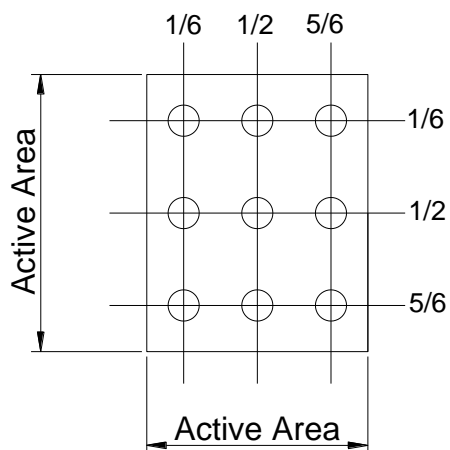


深圳市全动电子技术有限公司	Doc.No.:	
	REV : A	PAGE : 13/20
SPEC TITLE DOCUMENT CONTROL SPECIFICATION	EFFECTIVE DATE : 2023.06.03	

Note 4: Definition of viewing angle



Note 5: Definition of uniformity (**Un**)



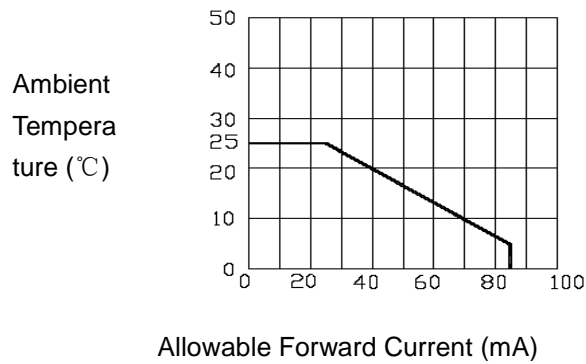
$$Un = \frac{B_{min}}{B_{max}} \times 100\%$$

深圳市全动电子技术有限公司	Doc.No.:	
	REV : A	PAGE : 14/20
SPEC TITLE DOCUMENT CONTROL SPECIFICATION	EFFECTIVE DATE : 2023.06.03	

8 Environment Absolute Maximum Ratings

Item	Symbol	Min	Max	Unit	Remark
Operation temperature range	Top	-10	60	°C	Ambient
Storage temperature range	Tst	-20	70	°C	Ambient

- Corrosive gas environment is not acceptable.
- TFT-LCD color will change slightly depending on environment temperature. This phenomenon is reversible. Current reduction rate of LED backlight is according to the graph indicated below:

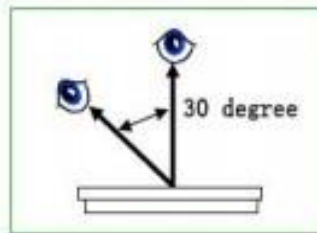


9 Inspection Standard

This standard apply to TFT module specification.

1. Inspection condition:

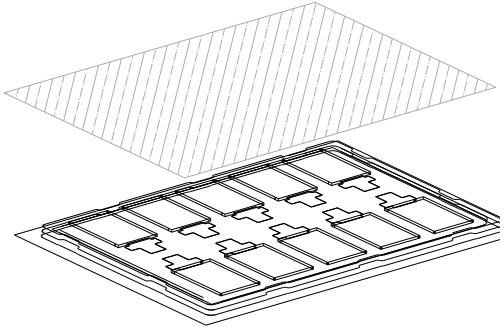
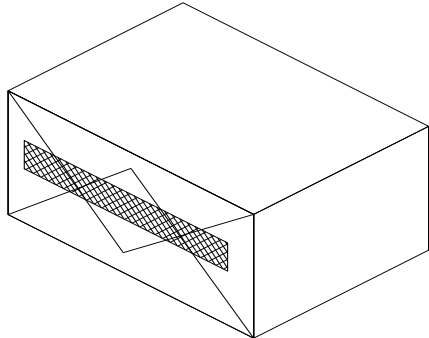
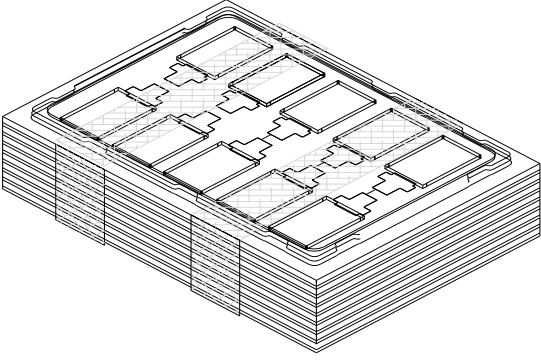
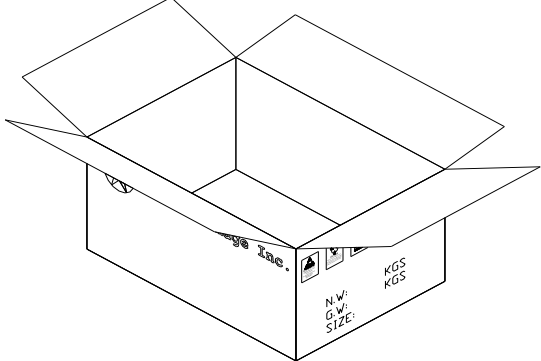
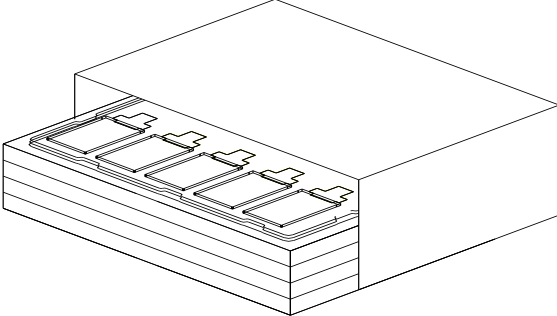
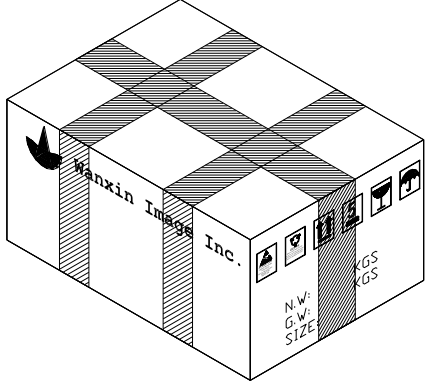
Under daylight lamp 20~40W, product distance inspector'eye 30cm.incline degree 30° .



2. Inspection standard

NO.	Item	Inspection standard	Rate															
2.1	Dot	<p>Case of Dot defect is below</p> <p>① Bright Dot (whit spot) : "0"</p> <p>② Dark Dot (black spot) : "0" (In case of Dark Dot on Main TFT LCD)</p> <p>- NG if there's full Dot defect.</p> <p>- Damaged less than the size of sub-pixel is not counted as defect</p> <p>- Dots darker than the size of sub-pixel are not defined as bright dot defect</p> <table border="1"> <thead> <tr> <th>area size (mm)</th> <th>Acceptable number</th> </tr> </thead> <tbody> <tr> <td>$\Phi \leq 0.10$</td> <td>ignore</td> </tr> <tr> <td>$0.10 < \Phi \leq 0.15$</td> <td>3</td> </tr> <tr> <td>$0.15 < \Phi \leq 0.20$</td> <td>2</td> </tr> <tr> <td>$0.25 < \Phi \leq 0.25$</td> <td>1</td> </tr> <tr> <td>$0.25 < \Phi$</td> <td>0</td> </tr> </tbody> </table>	area size (mm)	Acceptable number	$\Phi \leq 0.10$	ignore	$0.10 < \Phi \leq 0.15$	3	$0.15 < \Phi \leq 0.20$	2	$0.25 < \Phi \leq 0.25$	1	$0.25 < \Phi$	0	minor			
area size (mm)	Acceptable number																	
$\Phi \leq 0.10$	ignore																	
$0.10 < \Phi \leq 0.15$	3																	
$0.15 < \Phi \leq 0.20$	2																	
$0.25 < \Phi \leq 0.25$	1																	
$0.25 < \Phi$	0																	
2.2	line	<table border="1"> <thead> <tr> <th colspan="2">Size (mm)</th> <th>Acceptable number</th> </tr> </thead> <tbody> <tr> <td>ignore</td> <td>$W \leq 0.03$</td> <td>ignore</td> </tr> <tr> <td>$L \leq 4.0$</td> <td>$0.03 < W \leq 0.04$</td> <td>2</td> </tr> <tr> <td>$L \leq 4.0$</td> <td>$0.04 < W \leq 0.05$</td> <td>1</td> </tr> <tr> <td></td> <td>$0.05 < W$</td> <td>Treat with dot non-conformance</td> </tr> </tbody> </table>	Size (mm)		Acceptable number	ignore	$W \leq 0.03$	ignore	$L \leq 4.0$	$0.03 < W \leq 0.04$	2	$L \leq 4.0$	$0.04 < W \leq 0.05$	1		$0.05 < W$	Treat with dot non-conformance	
Size (mm)		Acceptable number																
ignore	$W \leq 0.03$	ignore																
$L \leq 4.0$	$0.03 < W \leq 0.04$	2																
$L \leq 4.0$	$0.04 < W \leq 0.05$	1																
	$0.05 < W$	Treat with dot non-conformance																

10 Package

<p>1</p> 	<p>4</p> 
<p>10 pcs per tray + 1 cover (EPE)</p>	<p>Packing bag</p>
<p>2</p> 	<p>5</p> 
<p>15 trays + 1 dummy tray = 150 ps</p>	<p>Putting bag into carton Protected by 2 pieces of cushion EPE sheet</p>
<p>3</p> 	<p>6</p> 
<p>Putting trays into anti-electrostatic bag</p>	<p>Packing carton with sealing tape</p>

深圳市全动电子技术有限公司	Doc.No.:	
	REV : A	PAGE : 17/20
SPEC TITLE DOCUMENT CONTROL SPECIFICATION	EFFECTIVE DATE : 2023.06.03	

	Carton outline size: 400×295×145 (mm)
--	---------------------------------------

11 Precautions

Please pay attentions to the followings as using the LCD module.

11.1 Handling

- (a) Do not apply strong mechanical stress like drop, shock or any force to LCD module. It may cause improper operation, even damage.
- (b) Because the polarizer is very fragile and easy to be damaged, do not hit, press or rub the display surface with hard materials.
- (c) Do not put heavy or hard material on the display surface, and do not stack LCD modules.
- (d) If the display surface is dirty, please wipe the surface softly with cotton swab or clean cloth.
- (e) Avoid using Ketone type materials (e.g. Acetone), Toluene, Ethyl acid or Methyl chloride to clean the display surface. It might damage the touch panel surface permanently. The recommended solvents are water and Isopropyl alcohol.
- (f) Wipe off water droplets or oil immediately.
- (g) Protect the LCD module from ESD. It will damage the LSI and the electronic circuit.
- (h) Do not touch the output pins directly with bare hands.
- (i) Do not disassemble the LCD module.
- (j) Do not lift the FPC of Touch Panel.

11.2 Storage

- (a) Do not leave the LCD modules in high temperature, especially in high humidity for a long time.
- (b) Do not expose the LCD modules to sunlight directly.
- (c) The liquid crystal is deteriorated by ultraviolet. Do not leave it in strong

深圳市全动电子技术有限公司	Doc.No.:	
	REV : A	PAGE : 18/20
SPEC TITLE DOCUMENT CONTROL SPECIFICATION	EFFECTIVE DATE : 2023.06.03	

ultraviolet ray for a long time.

- (d) Avoid condensation of water. It may cause improper operation.
- (e) Please stack only up to the number stated on carton box for storage and transportation. Excessive weight will cause deformation and damage of carton box.

11.3 Operation

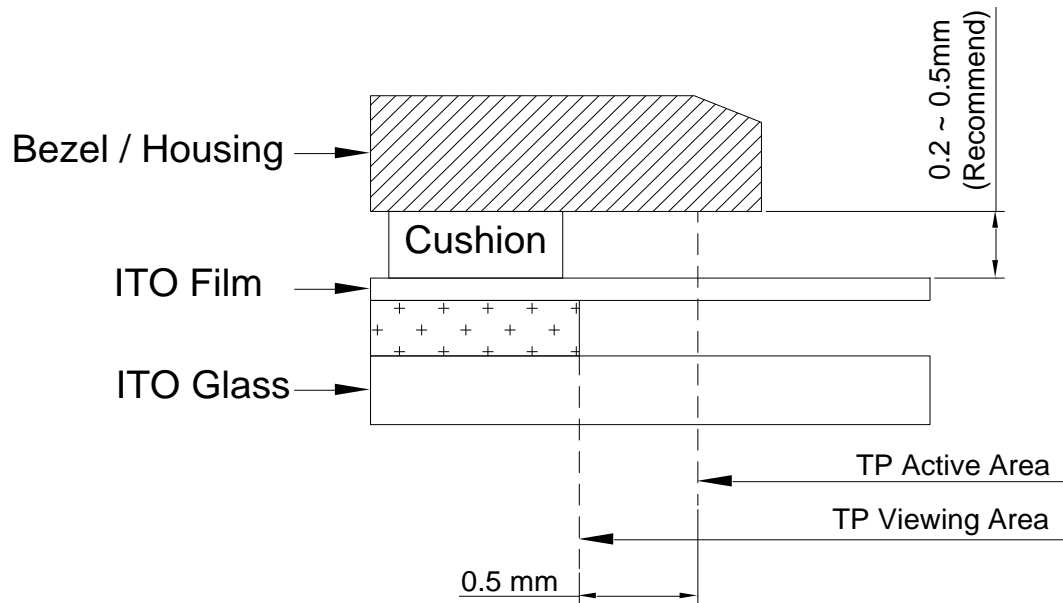
- (a) When mounting or dismantling the LCD modules, turn the power off.
- (b) Protect the LCD modules from electric shock.
- (c) The Driver IC control algorithms stated above should always obeyed to avoid damaging the LSI and electronic circuit.
- (d) Be careful to avoid mixing up the polarity of power supply for backlight.
- (e) Absolute maximum rating specified above has to be always kept in any case. Exceeding it may cause non-recoverable damage of electronic components or, nevertheless, burning.
- (f) When a static image is displayed for a long time, remnant image is likely to occur.
- (g) Be sure to avoid bending the FPC to an acute shape, it might break FPC.
- (h) Most of the touch screens have air vent to equalize the inside air pressure to the outside one. The air vent must be open and liquid contact must be avoided as the liquid may be absorbed if the liquid is accumulated near the air vent.
- (i) For the fragility of ITO film, it should avoid to use too tapering pen as the input material.

11.4 Touch Panel Mounting Notes

- (a) If a cushion is used between bezel/housing and film must be choose as free as enough to absorb the expansion and contraction to avoid the distortion of film.
- (b) The cushion must be placed out of the Viewing Area.
- (c) Bezel/Housing edge must be posited between Key Area and Viewing Area. The edge enters the Key Area may cause unexpected input if the gap is too narrow or foreign particles like dusts exist between Bezel/Housing and ITO film.

深圳市全动电子技术有限公司	Doc.No.:	
	REV : A	PAGE : 19/20
SPEC TITLE DOCUMENT CONTROL SPECIFICATION	EFFECTIVE DATE : 2023.06.03	

(d) Mounting example:



The corner part has conductivity. Do not touch any metal part after mounting.

11.5 Others

- a) If the liquid crystal leaks from the panel, it should be kept away from the eyes or mouth.
- b) For the fragility of polarizer, it is recommended to attach a transparent protective plate over the display surface.
- c) It is recommended to peel off the protection film on the polarizer slowly so that the electrostatic charge can be minimized.

