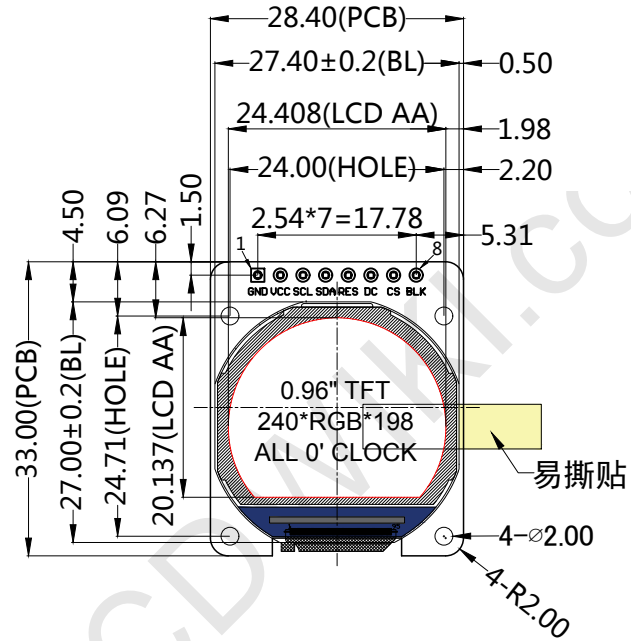
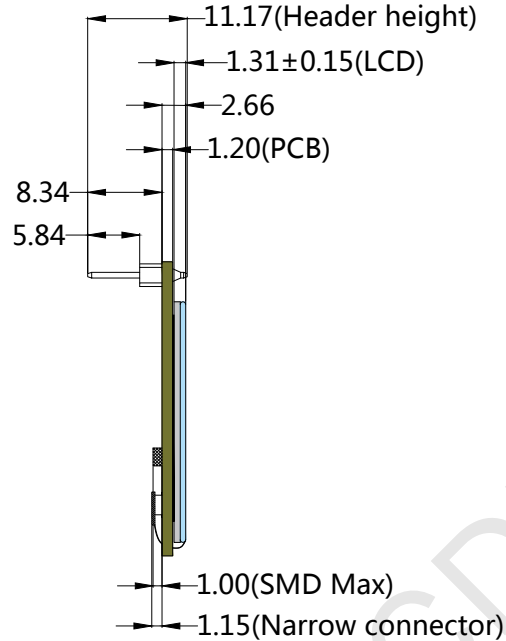


REVISION	RECORD	Date
V1.0	First release	2023-10-10

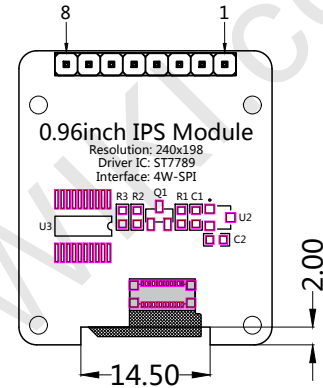
Front



Side



Back



No	PIN NAME
1	GND
2	UCC
3	SCL
4	SDA
5	RES
6	DC
7	CS
8	BLK

NOTES:

1. DISPLAY TYPE: 0.96" Circular IPS TFT
2. VIEWING DIRECTION: ALL 0' CLOCK
3. DRIVE IC: ST7789H2
4. POLARIZER MODE: TRANSMISSIVE/POSITIVE
5. RESOLUTION: 240 (H)*RGB*198 (V)
6. INTERFACE: SPI_4-Line
7. UNMARKER TOLERANCE: ± 0.2
8. OPERATING TEMP: $-10^{\circ}\text{C} \sim +60^{\circ}\text{C}$

深圳市全动电子技术有限公司 ShenZhen QDtech electronic technology Co.,LTD.					DRG DATE	2023-10-10	
					DRAWING	Joan	
TITLE.	LCM OUTLINE	REV.	UNIT	SIZE	(3)	CHECK	Green
SKU.	MSP0964	V1.0	mm	A4		APPROVE	Rose