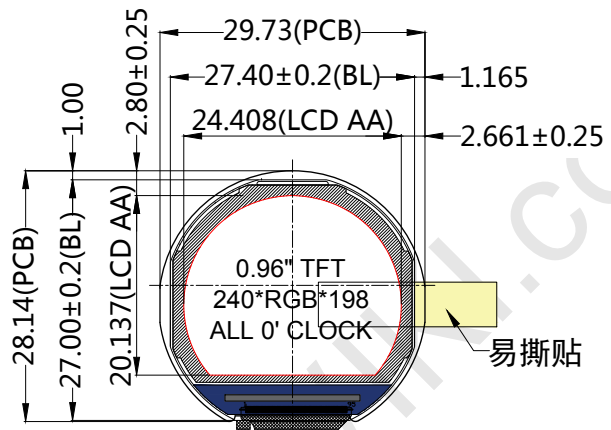
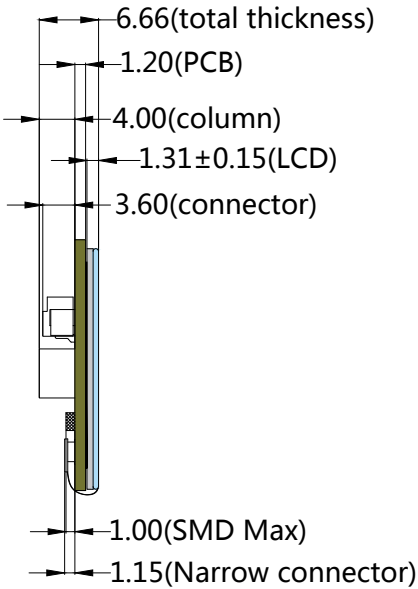


| | | |
|----------|---------------|------------|
| REVISION | RECORD | Date |
| V1.0 | First release | 2023-09-06 |

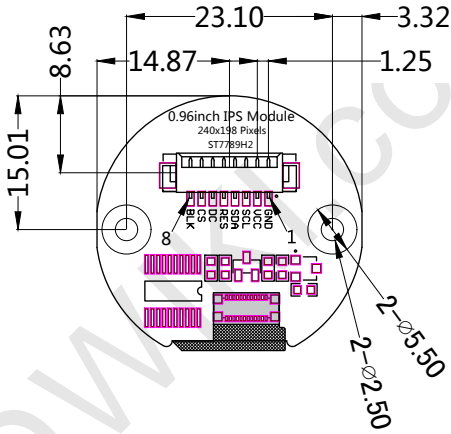
Front



Side



Back



| No | PIN NAME |
|----|----------|
| 1 | GND |
| 2 | UCC |
| 3 | SCL |
| 4 | SDA |
| 5 | RES |
| 6 | DC |
| 7 | CS |
| 8 | BLK |

NOTES:

- 1.DISPLAY TYPE: 0.96" Circular IPS TFT
- 2.VIEWING DIRECTION: ALL 0' CLOCK
- 3.DRIVE IC: ST7789H2
- 4.POLARIZER MODE: TRANSMISSIVE/POSITIVE
- 5.RESOLUTION: 240(H)*RGB*198(V)
- 6.INTERFACE: SPI_4-Line
- 7.UNMARKER TOLERANCE: ±0.2
- 8.OPERATING TEMP: -10°C~+60°C

| | | | | | | | |
|---|-------------|------|------|------|----------|------------|-------|
| 深圳市全动电子技术有限公司 ShenZhen QDtech electronic technology Co.,LTD. | | | | | DRG DATE | 2023-09-06 | |
| | | | | | DRAWING | Joan | |
| TITLE. | LCM OUTLINE | REV. | UNIT | SIZE | (3) | CHECK | Green |
| SKU. | MSP0962 | V1.0 | mm | A4 | | APPROVE | Rose |